

TENN UP

fluxwood



^ American White Oak with a Black Trim

TENN UP



An extension of the Tenn pendant, the Tenn Up delivers the same impactful design, but adds independently controlled up-lighting. The powder coated aluminium cap grounds the whole design adding visual weight, while the dimmable up-light creates ambient mood lighting. Though they may seem minor, these carefully considered changes truly elevate the original Tenn to another level, both in lighting and looks. Available in lengths up to 3000mm in bespoke hardwoods and lighting specifications. Crafted with a high-quality furniture finish in Currumbin, QLD.

Application	Interior Use Only. Must be installed by a licensed electrician.
Size	40 x 51mm
Standard Lengths	1200 / 1800 / 2000 / 2500 / 2800 / 3000mm
Bespoke Lengths	Order in increments of 100mm. Max. length 3000mm
Material	Solid Hardwood, Aluminium, Opal Acrylic, Integral LED Lighting
Input Power	240V - 24VDC Transformer
CRI	90
CCT	2700K, 3000K, 4000K
Wattage	19 Watts per metre
Lumens	Downlight: 750lm per metre / Uplight: 750lm per metre
Dimming	Leading/Trailing, Dali, 1-10V DC
Mounting	3mm Conductive Cable in Black or Silver
Lead Time	4 weeks for in-stock pendants, 12 weeks for custom builds. Made in Australia

Ordering Options

Timber



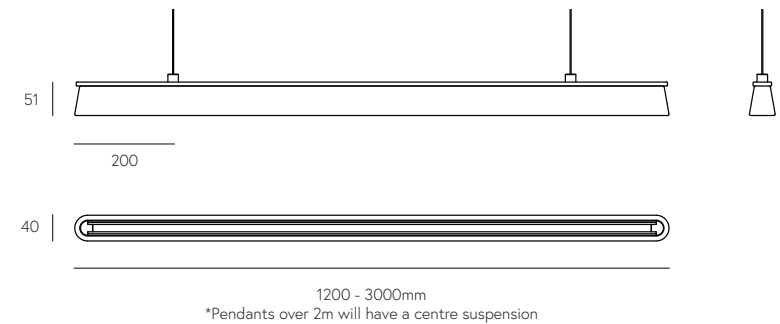
Trim



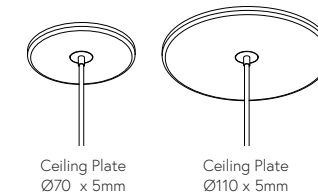
Please specify your order using the codes below (example TU - B - L12 - 1 - 27K - TR - 70W - CS - 2.5m)

Fitting	Timber Selection	Length	Trim Colour	CCT	Dimming Options	Mounting	Cable Colour	Drop Length
TU	Tasmanian Blackwood (B) Victorian Ash (VA) Spotted Gum (SG) Custom (C)	1200mm (L12) 1800mm (L18) 2000mm (L20) 2500mm (25) 3000mm (25) Custom (L_m)	White (1) Black (2) Brass (3)	2700K (27K) 3000K (3K) 4000K (4K)	Leading/Trailing (TR) Dali Dim (DD) 1-10V DC Control (DC)	Ø70mm White (70W) Ø70mm Black (70B) Ø110mm White (110W) Ø110mm Black (110B)	Silver (CS) Black (CB)	1.5m Standard (1.5) Custom (L_m)

Dimensions



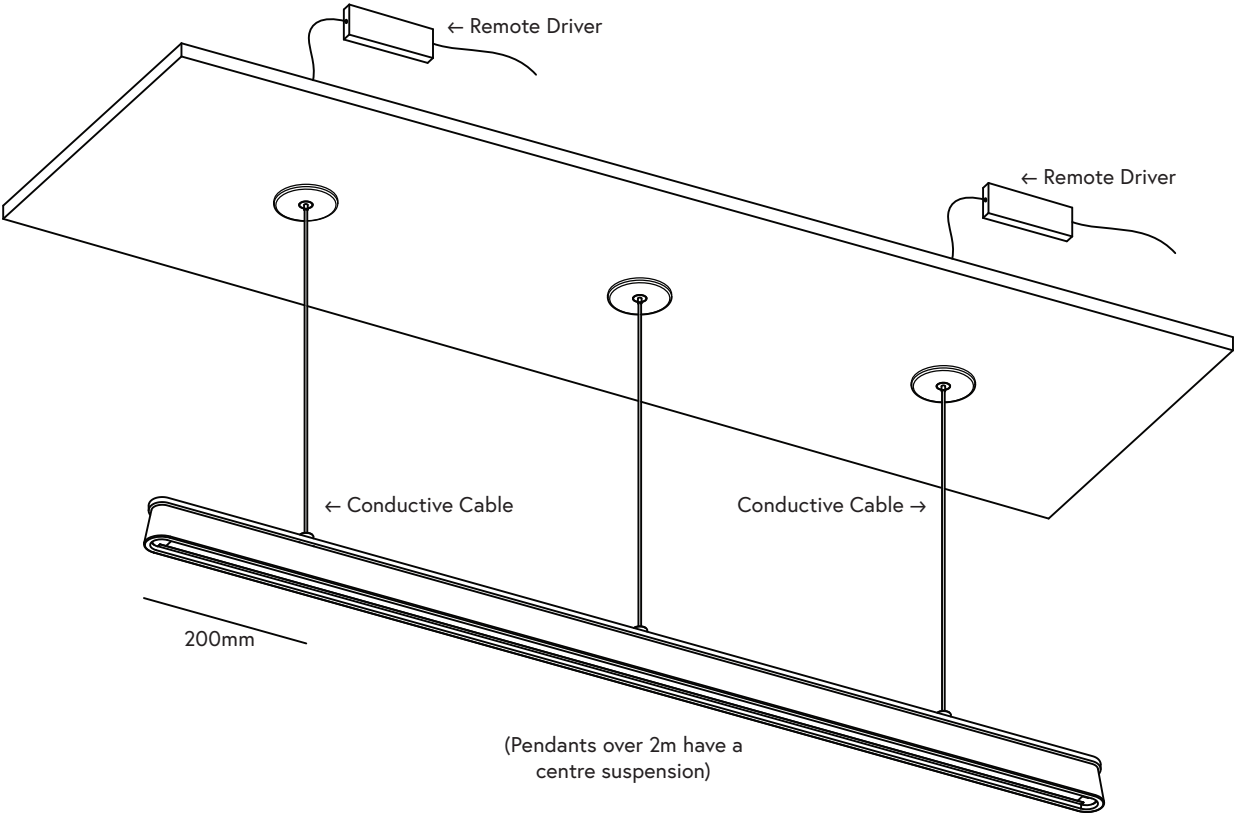
Mounting



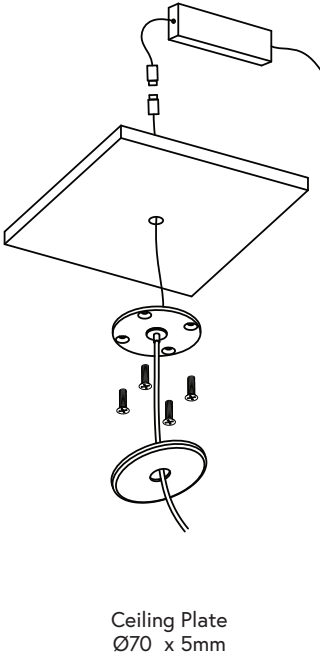
TENN UP Install Instructions



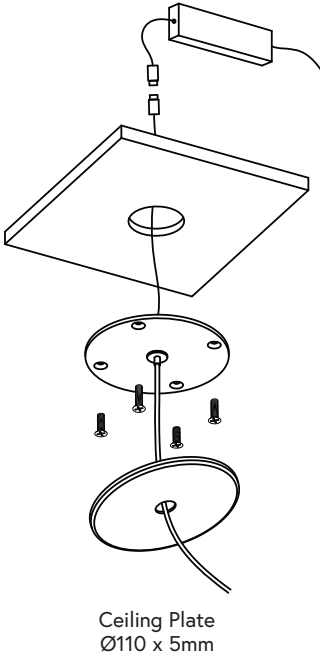
Pendant Installation



Mounting Plate Options



Suitable for full ceiling access to place the remote driver from above.



Suitable for limited ceiling access to place the remote driver from below.