

# LUNA



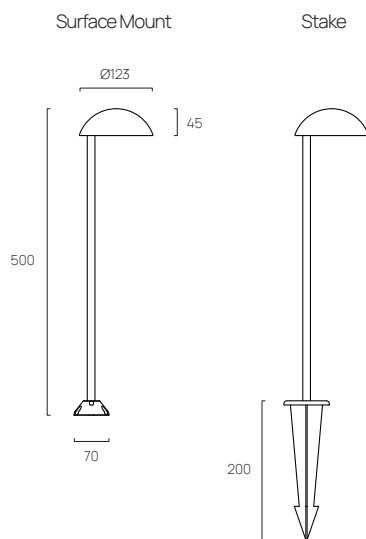
# LUNA

A small bollard designed for paths, walkways and garden areas. Luna has a high quality solid brass construction that will elevate any outdoor area with it's minimal half moon charm.

## TECHNICAL DETAILS

<b>FEATURES</b>	Solid Brass Construction
<b>COLOURS</b>	Brass, Black, White
<b>LED</b>	3W Sealed Unit
<b>LED CCT</b>	2700K, 3000K, 4000K
<b>POWER CONSUMPTION</b>	3W
<b>IP RATING</b>	IP65
<b>DIMMING</b>	Leading/Trailing 1-10V DC Dali Dimming with Suitable Driver
<b>POWER INPUT</b>	12V DC

## DIMENSIONS



## ORDERING OPTIONS

Fitting	Wattage	Colour	CCT	Dimming	Mounting
LN	3 Watts (3W)	Brass (4) Black (2) White (3)	2700K (27K) 3000K (3K) 4000K (4K)	Leading/Trailing (TR) Dali (DD) 1-10V DC (DC)	Surface Mount (SM) Stake (ST)

## ORDER CODE

LN	3W				
----	----	--	--	--	--